



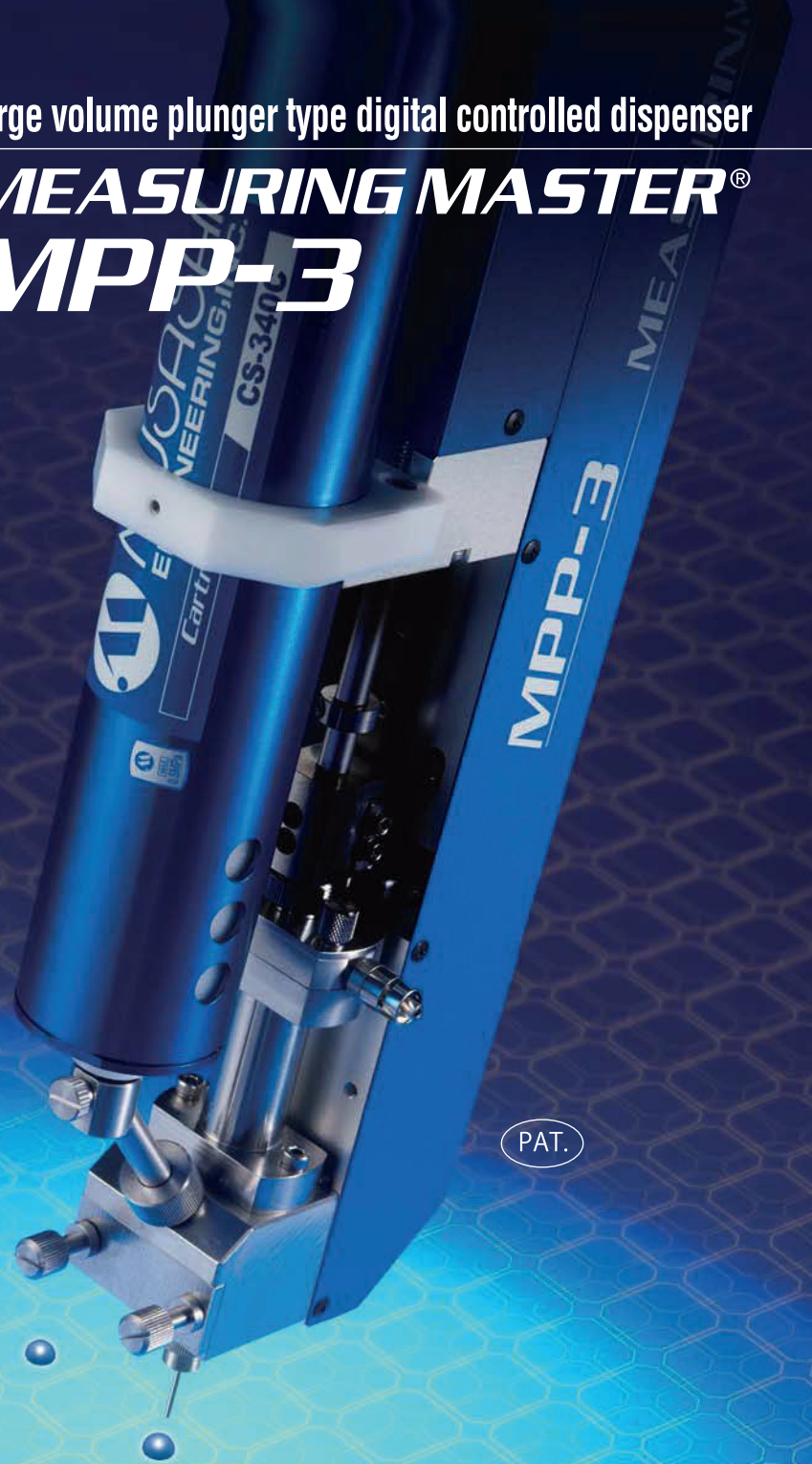
MUSASHI
ENGINEERING, INC.

Large volume plunger type digital controlled dispenser

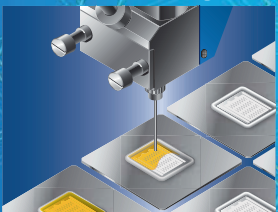
MEASURING MASTER® **MPP-3**

Volume measuring – Outstanding “Dispensing Accuracy”!

Significant reduction in
fraction defective achieved
by our unique plunger method.



| Dispensing applications



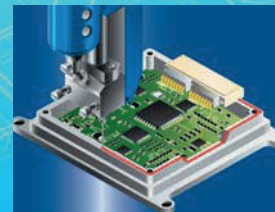
Resin potting for lighting LEDs



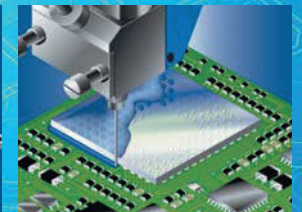
Gel filling in sensor parts



Optical bonding on LCDs



ECU sealing

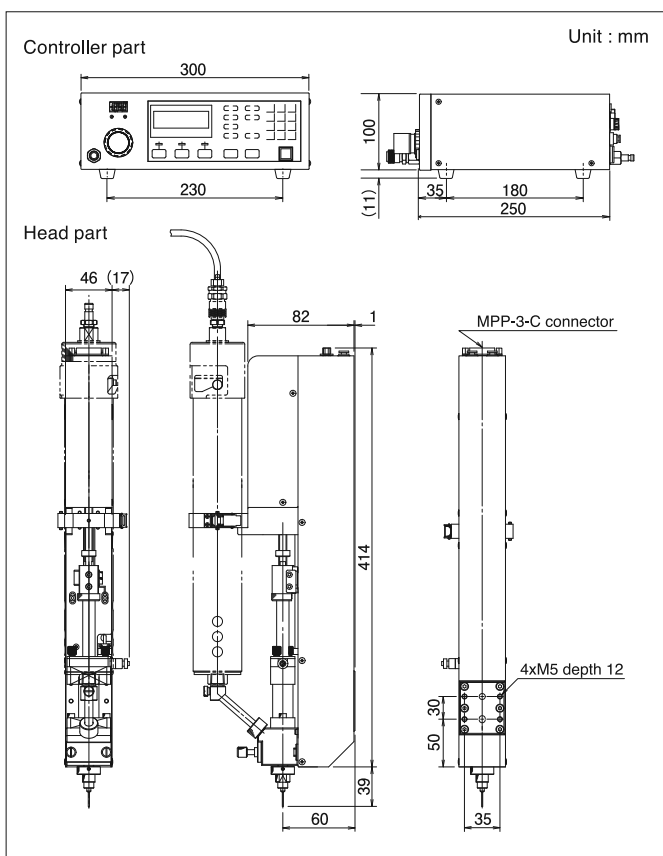


Secondary underfilling

Specifications

Model	MPP-3		
Dispensing method	Volume measuring type		
Control method	Digital controlled type		
Dispensing volume range	Standard type	5 mL	Select any one of them
		7 mL	
	B1 type	5 mL	
		7 mL	
Fluid supply pressure range	0.001 to 0.500 MPa		
Compatible ballels	MUSASHI's ballel (170 to 340ml) Fluid can be supplied from a cartridge or a tank		
Number of channels	400 channels		
Power supply	AC 100 to 240 V		
Power consumption	53 W		
External dimensions	Controller part: W300 × D250 × H111mm (excluding protrusion)		
	Head part: W46 × D83 × H414mm (excluding protrusion not included)		
Weight	Controller part: approx. 5.2 kg		
	Head part: approx. 2.8 kg (excluding ballel and fluid not included)		

Outside drawings



Safety precaution

For your safety, be sure to read the instruction manual before using the unit.

* We reserve the right to change the specifications without notice.

* All copyrights are retained by MUSASHI ENGINEERING.

Reprinting, reproducing, and/or transmitting these materials as electronic data in whole or part is strictly prohibited without prior written permission.



MUSASHI ENGINEERING, INC. is certified and registered according to ISO14001

MEASURING MASTER® MPP-3

Large volume plunger type digital controlled dispenser



PAT.

Sister machine

MEASURING MASTER® MPP-1

Volume measuring type digital controlled dispenser



PAT.



CAT.No.MPP3-05173-K-COPY <http://www.musashi-engineering.co.jp/english/>

World Leading Dispenser

MUSASHI ENGINEERING, INC.

HEAD OFFICE

8-7-4, Shimorenjaku, Mitaka, Tokyo, 181-0013, Japan TEL : (81)422-76-7111 / FAX : (81)422-76-7122

BRANCH

TOKYO, OSAKA, NAGOYA, SENDAI, FUKUOKA, SAITAMA, NAGANO, EAST-KANTO, AKITA, KANAZAWA

SINGAPORE 114 Lavender Street, #08-88/89 CT Hub 2, Singapore 338729
TEL : (65)6258-2422 / FAX : (65)6258-4844

THAILAND No.12 Soi Bangna-Trad 25, Bangna, Bangkok 10260 Thailand
TEL : (66)2-769-5708 / FAX : (66)2-769-5450

INDONESIA Jl. MH. Thamrin, Robson Square, Block A-15, Lippo Cikarang, Bekasi 17550, Jawa Barat, Indonesia
TEL : (62)21-8990-5005 / FAX : (62)21-8990-5004

GERMANY Leopoldstrasse 244, 1.Stock 80807 Munich Germany
TEL : (49)89-208039-470 / FAX : (49)89-208039-478

KOREA (902 No. 9 F. #C, Korea Bio Park.) 700, Daewangpangyo-ro, Bundang-gu, Seongnam-si, Gyeonggi-do 13488, Korea
TEL : (82)31-702-3811 / FAX : (82)31-702-3881

TAIWAN 8F-2, No. 158, Sec. 2, Gongdao 5th Road, Hsinchu, Taiwan 30070
TEL : (886)3-572-9200 / FAX : (886)3-572-9300

CHINA

HONG KONG Unit 1706, 17/F., Greenfield Tower,(South)Concordia Plaza, No.1 Science Museum Road, T.S.T.East, Kowloon, H.K.
TEL : (852)2620-5799 / FAX : (852)2620-5771

SHANGHAI A-120 Room, No.525 Xian Feng Street (No.55 Jin Yu Road), Min Hang, Shanghai, China
TEL : (86)21-6446-7881 / FAX : (86)21-6446-7882

SHENZHEN Room 702, West Tian'an Tech Plaza II, Tian'an Cyber Park, Futian District Shenzhen, China
TEL : (86)755-8346-6822 / FAX : (86)755-8346-6866

BEIJING

Room 106, No.12 Tuan Jie Hu Dong Li, Tuan Jie Mansion Office Building, Chao Yang District, Beijing, China 100026
TEL : (86)10-8598-3317 / FAX : (86)10-8598-3327

SUZHOU

Room 1010, No.188 Wang Dun Road, GENWAY BUILDING, Suzhou City Industrial estate Distric, Jiangsu, CHINA
TEL : (86)0512-6878-4428 / FAX : (86)0512-6878-4438

CAT.No.MPP3-05174-K-COPY